

RF-17P1N8AWB00

Order No.: 1607863

The figure shows the 12-pos. product version



<http://eshop.phoenixcontact.de/phoenix/treeViewClick.do?UID=1607863>

Commercial data	
EAN	4046356174985
Pack	40 pcs.
Customs tariff	85366990
Weight/Piece	0.03222 KG
Catalog page information	Page 55 (PC-2009)

Product notes

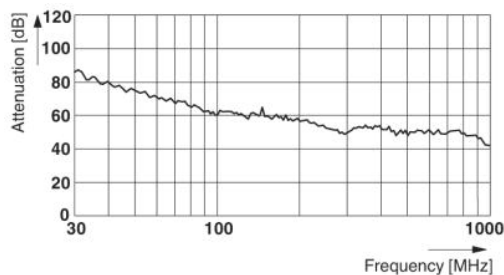
WEEE/RoHS-compliant since:
01/01/2003



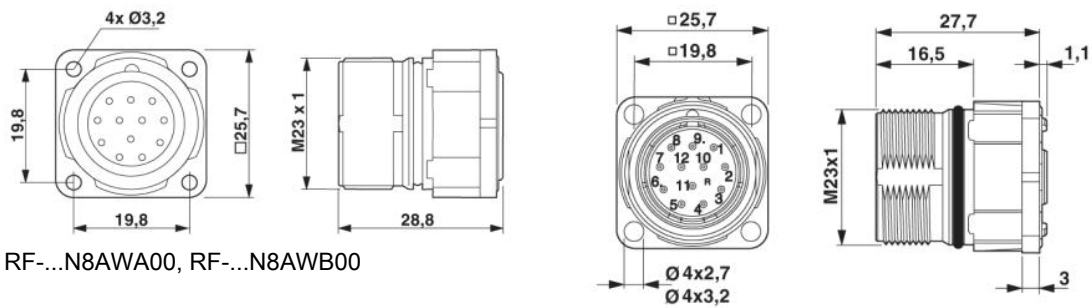
<http://www.download.phoenixcontact.com>
Please note that the data given here has been taken from the online catalog. For comprehensive information and data, please refer to the user documentation. The General Terms and Conditions of Use apply to Internet downloads.

Diagrams/Drawings

Diagram

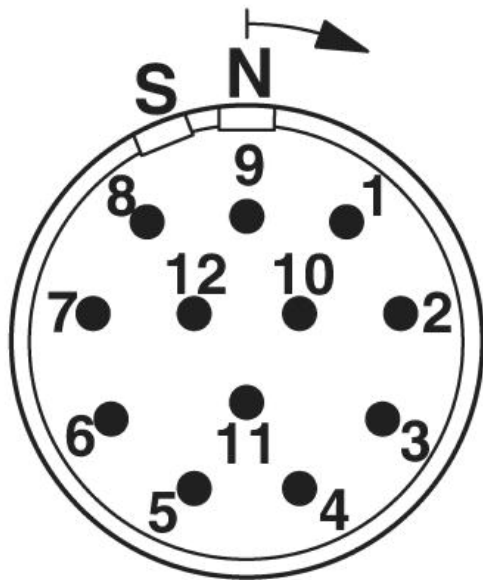


Dimensioned drawing



RF-...N8AWA00, RF-...N8AWB00

Schematic diagram



Address

PHOENIX CONTACT Inc., USA
586 Fulling Mill Road
Middletown, PA 17057, USA
Phone (800) 888-7388
Fax (717) 944-1625
<http://www.phoenixcon.com>



© 2010 Phoenix Contact
Technical modifications reserved;